

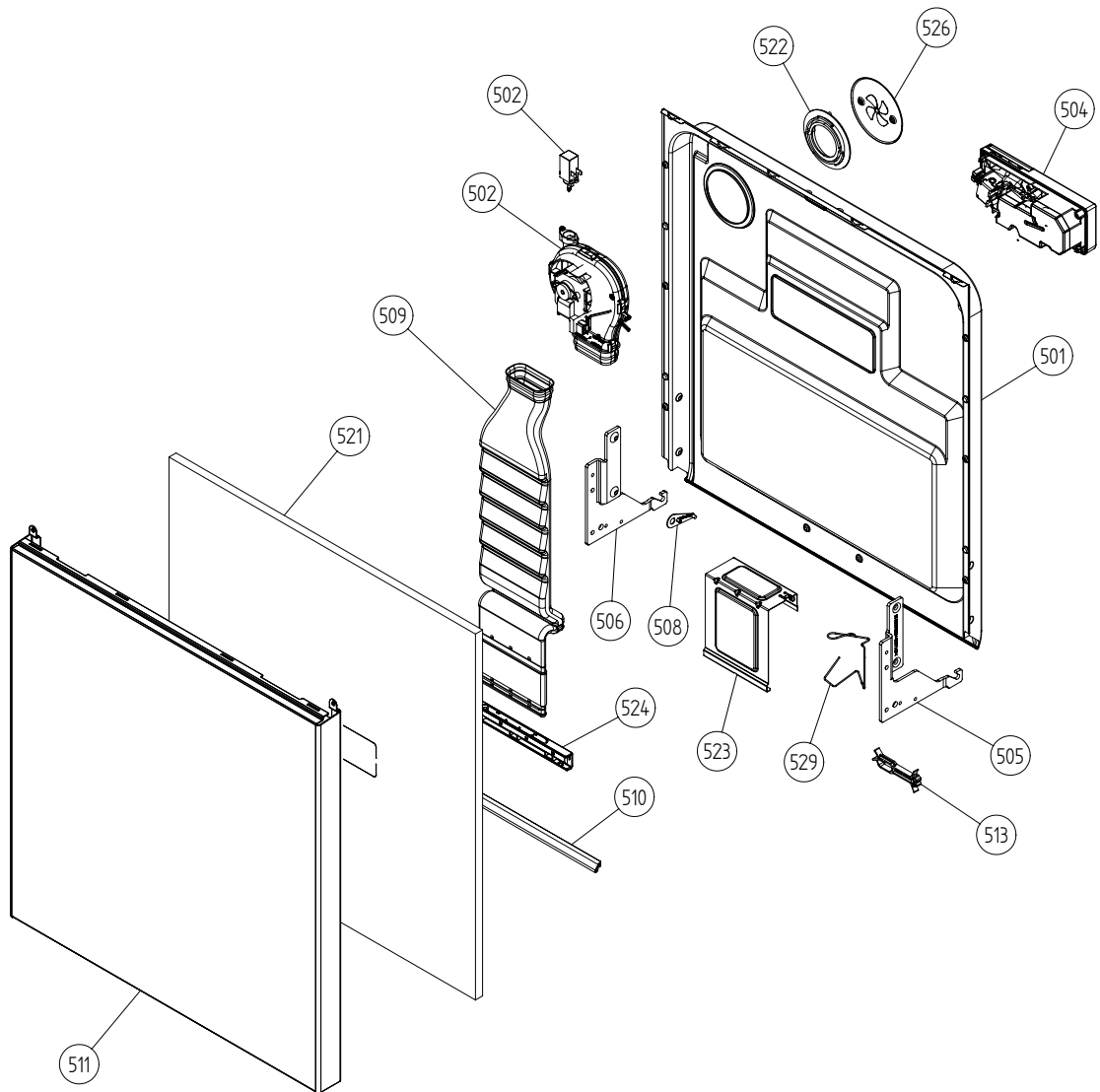
Spare Parts Catalogue

Dishwashers \ 3000 Series
Type: DW20.2US
Model: D3350 US Black Bi

Prod. No: 107335002
October 5th 2004

AM Appliances Group

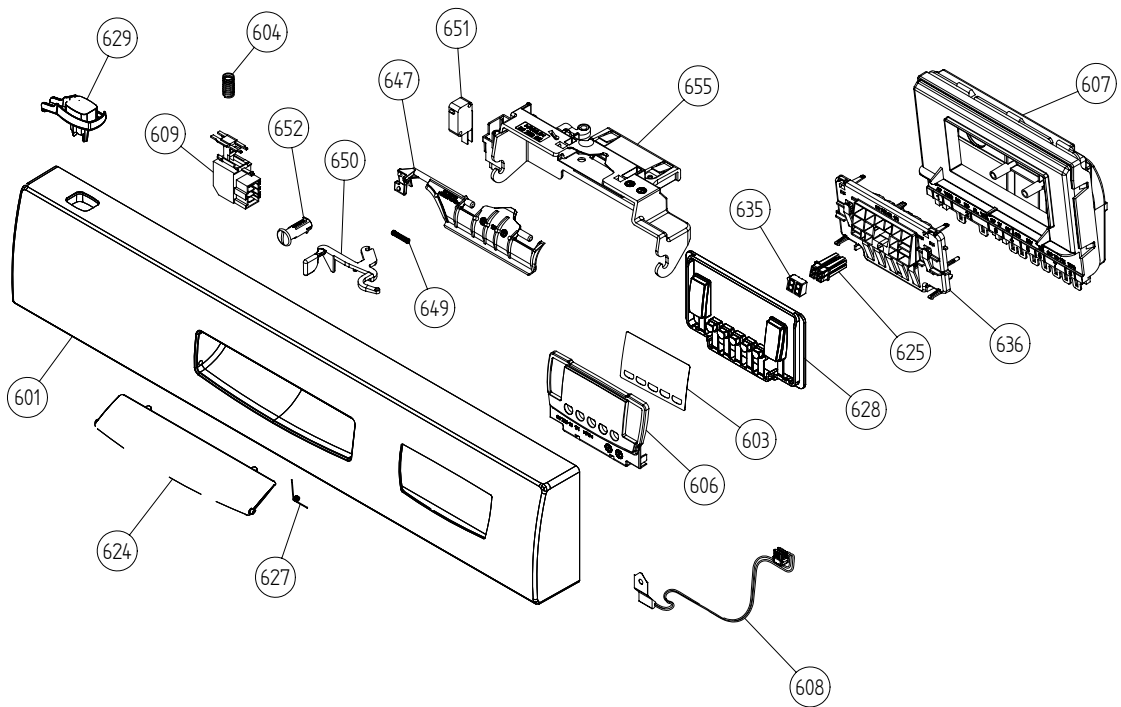
P.O. Box 851805 • Richardson • TX 75085-1805
789 N. Grove Road • Suite 103 • Richardson • TX 75081



Inner door, panel and related parts

ASKO, D3350 US - Black Bi (DW20.2US)

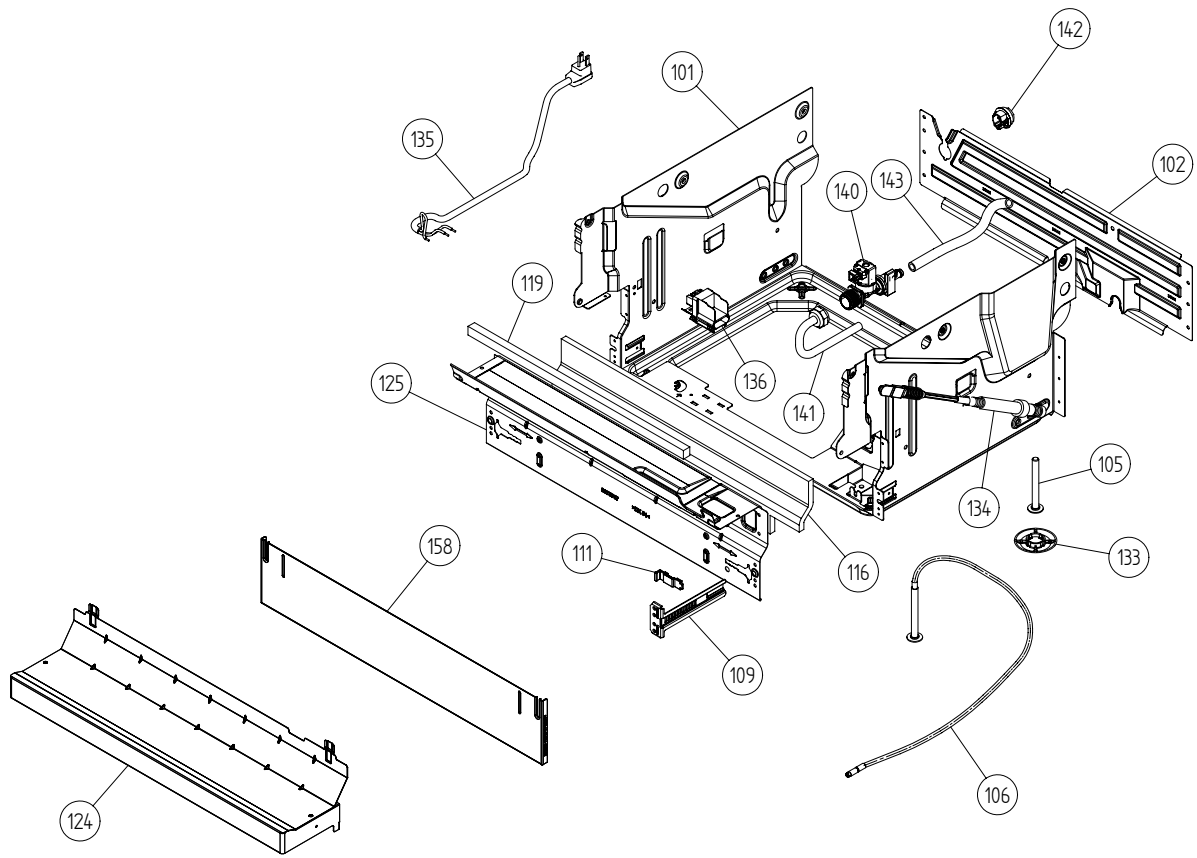
Pos	Spare part No.	Description	Qty	Comment
501	8801244	DOOR INNER WINSUL FAN	1 Pcs	
501-a	8900646	SCREW A4 RTS 42X13 T20 SORT	6 Pcs	
501-b	8902121	SCREW A2-MKFT 5X10	4 Pcs	
502	8073851	FAN COMPL 120V	1 Pcs	
502-a	8058501	O-RING 83X3 NBR 70 UL4	1 Pcs	
502-b	8052778	WAXMOTOR 10033214	1 Pcs	
504	8073803	COMBIDISP REED REAY 120V UL4	1 Pcs	
504-a	8071916	SEALDETCOMPLID	1 Pcs	
504-b	8071917	CAP RINSE AGENT	1 Pcs	
504-c	8071918	LIDINCLSEAL AND SPRING	1 Pcs	
504-d	8072288	SEALING STRIP COMBIDISP	1 Pcs	
504-e	8075778	BRACKET COMBI DISPENSER	2 Pcs	
504-f	8902087	SCREW PTK 40X14 WN1452 FZB T20	6 Pcs	
505	8057524	HINGE RIGHT PAINTED DW95	1 Pcs	
505-a	8057530	HINGE SCREW DW95	1 Pcs	
505-b	33500262	NUT M4 (LOC-KING) 4 DIN 985	1 Pcs	
506	8057525	HINGE LEFT PAINTED DW95	1 Pcs	
506-a	8057530	HINGE SCREW DW95	1 Pcs	
506-b	33500262	NUT M4 (LOC-KING) 4 DIN 985	1 Pcs	
507	8057530	HINGE SCREW DW95	2 Pcs	
507-a	33500262	NUT M4 (LOC-KING) 4 DIN 985	2 Pcs	
508	8057948	SLIDE WASHER HINGE BEARINGDW95	2 Pcs	
509	8057963	AIR CANNEL DW95	1 Pcs	
510	8057949	DOOR SEAL Replby 8060254	1 Pcs	
510	8060254	DOOR SEAL LOWER CUTTING 555	1 Pcs	
511	8071106-86	DOOR OUTER THICK BLACK	1 Pcs	
511-a	8900646	SCREW A4 RTS 42X13 T20 SORT	6 Pcs	
513	8074015	CABLE BRACKET DOOR	1 Pcs	
521	8071240	SOUND ABSORBTION OUTERDOOR	1 Pcs	
522	8057964	LOCK RING FAN CASING UL4	1 Pcs	
522-a	8902085	SCREW PT KB40X10 WN1442 RFS	2 Pcs	
523	8057984	BRACE STAND DW95	1 Pcs	
523-a	8900646	SCREW A4 RTS 42X13 T20 SORT	2 Pcs	
523-b	8902357	SCREW RTS 42X13 FZB T20 SORT	2 Pcs	
524	8072729-33	AIR PIPE /2	1 Pcs	
526	8058484	COVER PLATE FAN WITH SYMBOL	1 Pcs	
526-a	8902085	SCREW PT KB40X10 WN1442 RFS	2 Pcs	
529	8073612	BRACKET FOR HARNESS	1 Pcs	



Control panel and related parts

ASKO, D3350 US - Black Bi (DW20.2US)

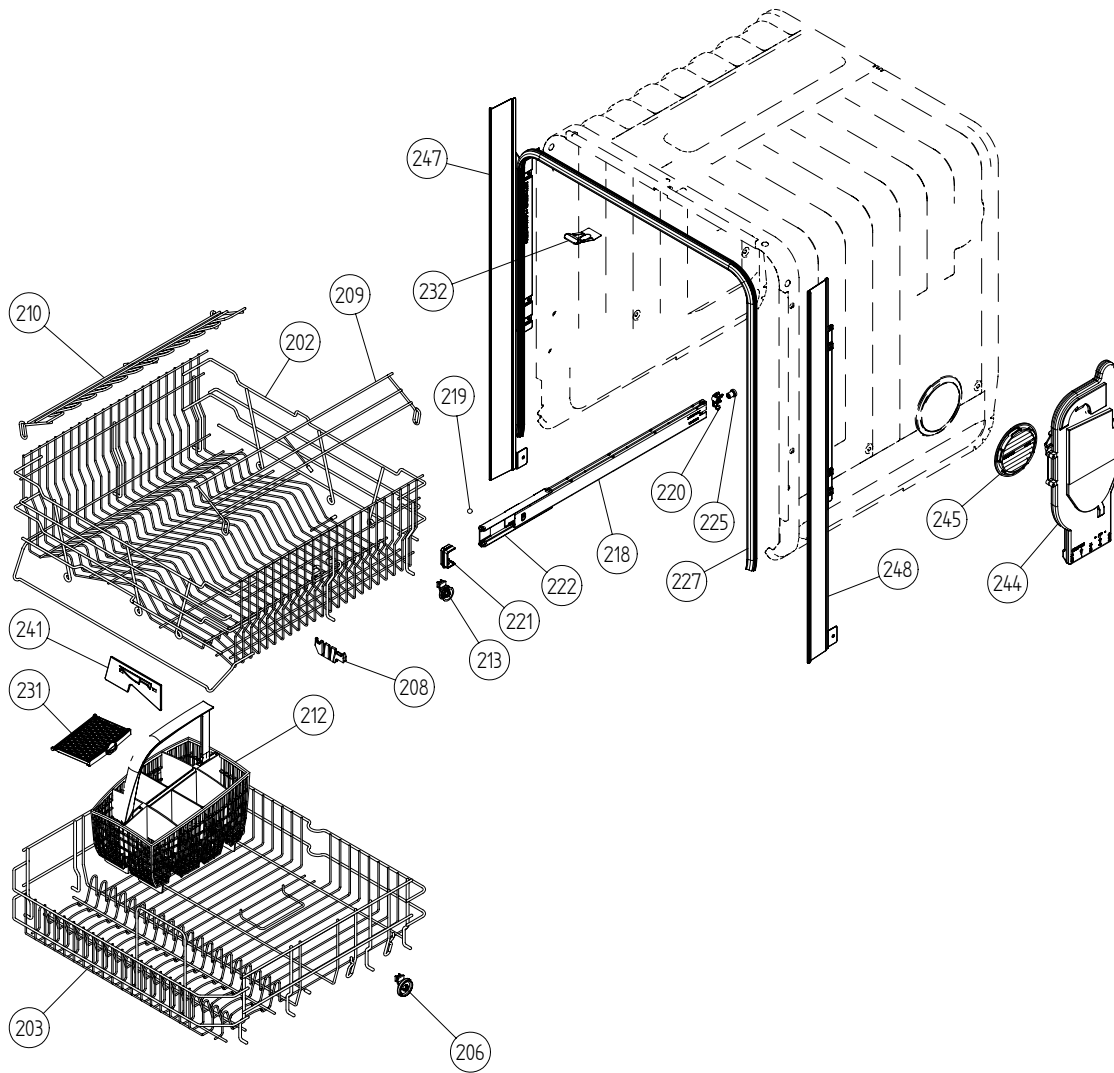
Pos	Spare part No.	Description	Qty	Comment
601	8075755-69-UL	PANEL ASKO 3350(345) GRAPH UL4	1 Pcs	
602	8075174	PROGINFOLABEL 345-3350 FR	1 Pcs	
602	8075308	PROGINFOLABEL 345-3350 AU/US	1 Pcs	
602	8075310	PROGINFOLABEL 345-3350 ES	1 Pcs	
603	8074977	DECOR PLATE ASKO 345 INTENSIVE	1 Pcs	
604	8074277	SPRING MAIN SWITCH	1 Pcs	
606	8072910	LENS ASKO 345 INTENSIVE UL4	1 Pcs	
607	8801227	CONTROLUNIT COMPL DW202 USA	1 Pcs	
608	8073788	THERMISTOR UL4	1 Pcs	
609	8073782	MAIN PUSH SWITCH	1 Pcs	
611	8073897	CABLESET DIVERTER VALVE	1 Pcs	
614	8073888	CABLE SET CIRCPUMP INLVALVE	1 Pcs	
616	8073887	CABLE SET FLOW & PRESSURE	1 Pcs	
618	8073890	CABLESET POWER	1 Pcs	
620	8073882	CABLE SET DOOR FAN-REED	1 Pcs	
622	8073883	CABLE SET DRAIN	1 Pcs	
624	8073470-69	COVER FOR HANDLE BLACK	1 Pcs	
625	8074247	LENS 7-SEGMENT ASKO 340	1 Pcs	
627	8074464	SPRING FOR LID HANDLE	1 Pcs	
628	8074968-69	PUSH BUTTONS ASKO 345 GRAPHIC	1 Pcs	
629	8075078-69	PUSHBUTTON MAINSWITCH GRAPHIC	1 Pcs	
635	8074976	LIGT SHIELDING 7-SEGMENT	1 Pcs	
636	8074192	LIGHT GUIDE ASKO DW340 UL4	1 Pcs	
647	8072906	CATCH HANDLE UL4	1 Pcs	
647	8075550	Subs to 8072906	1 Pcs	
649	8072908	SPRING LOCK	1 Pcs	
650	8072907	CONTROL ARM SAFETY CATCH UL4	1 Pcs	
651	8073836	MICROSWITCH DOOR	1 Pcs	
652	8057545	ROTARY CATCH DW95	1 Pcs	
655	8072905	PROTECTIONS CATCH UL4	1 Pcs	
655-a	8902085	SCREW PT KB40X10 WN1442 RFS	2 Pcs	
690	8075591	INSTRUCTIONS D3350-345 USA ENG	1 Pcs	
690	8075592	INSTRUCTIONS D3350-345 USA FR	1 Pcs	
690	8075593	INSTRUCTIONS D3350-345 USA ES	1 Pcs	



Base and related parts

ASKO, D3350 US - Black Bi (DW20.2US)

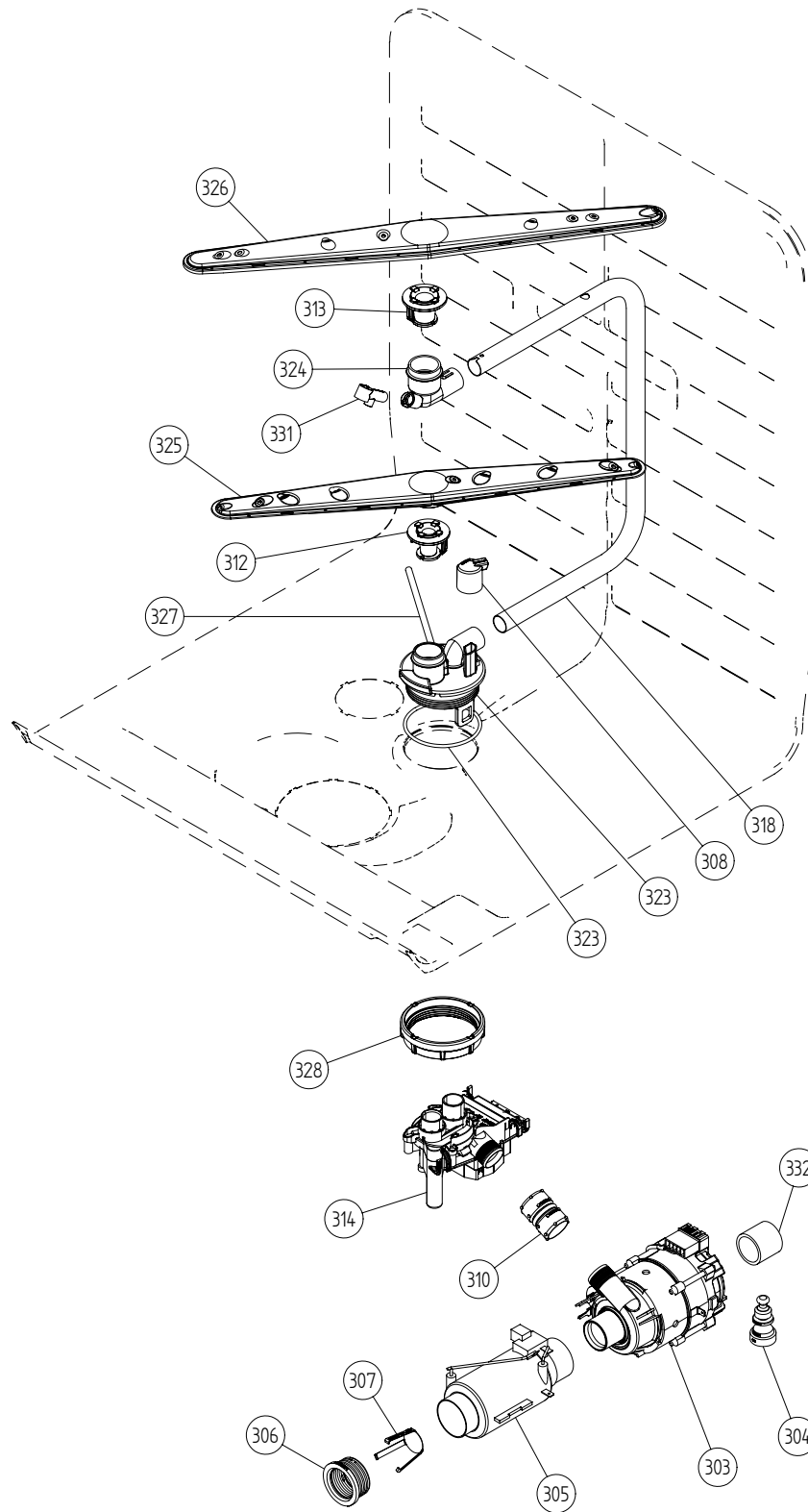
Pos	Spare part No.	Description	Qty	Comment
101	8074450	BOTTEM OUTER DW20	1 Pcs	
101-a	8901104	SCREW M4x8 A4 MRT VAXED T20	2 Pcs	
101-b	8901110	SCREW O-RING A2-M6X12 T30	4 Pcs	
102	8073880	REAR PANEL	1 Pcs	
102-a	8902357	SCREW RTS 42X13 FZB T20 SORT	5 Pcs	
105	8074877	FOOT M10x95 T30 88 FZB	2 Pcs	
106	8073647	FOOT ADJUSTABLE FROM FRONT CPL	1 Pcs	
109	8057549	BRACKET KICKING PLATE DW95	2 Pcs	
111	8073481-49	SPRING KICKING PLATE L-GREY	2 Pcs	
116	8058353	SOUND ABSORBENT GUARD PLATE	1 Pcs	
119	8074260	SOUND ABSORBTION PROFILE	1 Pcs	
124	8074293-86	LOWER COVER LOW BLACK	1 Pcs	
125	8073707	GUARD PLATE	1 Pcs	
125-a	8902357	SCREW RTS 42X13 FZB T20 SORT	4 Pcs	
133	8051957	SLIDE FOOT DM-14	3 Pcs	
134	8058491-77	DOORSRING COMPL GREY	2 Pcs	
135	8073774	CORD SET AMERICA	1 Pcs	
136	8073781	FILTER WITH SCREWPLINT	1 Pcs	
136-a	8902131	SCREW MRT-TT 4X6 FZB T20	1 Pcs	
140	8073825	INLVALVE SINGLE 120V SENS UL4	1 Pcs	
140-a	8052189	HOSE CLIP RFZ 170-706R	1 Pcs	
141	8073879	CONNECTIONS PIPE 3/8-3/4	1 Pcs	
142	8006948	GROMMET Z13	1 Pcs	
143	8074230	RUBBER HOSE 10X15X225	1 Pcs	
143-a	8052189	HOSE CLIP RFZ 170-706R	2 Pcs	
154	33055088	RUBBER HOSE 10X15 UL4	1 Pcs	
154-a	8052189	HOSE CLIP RFZ 170-706R	2 Pcs	
158	8059758-86	KICKPLATE USA BLACK	1 Pcs	



Baskets and related parts

ASKO, D3350 US - Black Bi (DW20.2US)

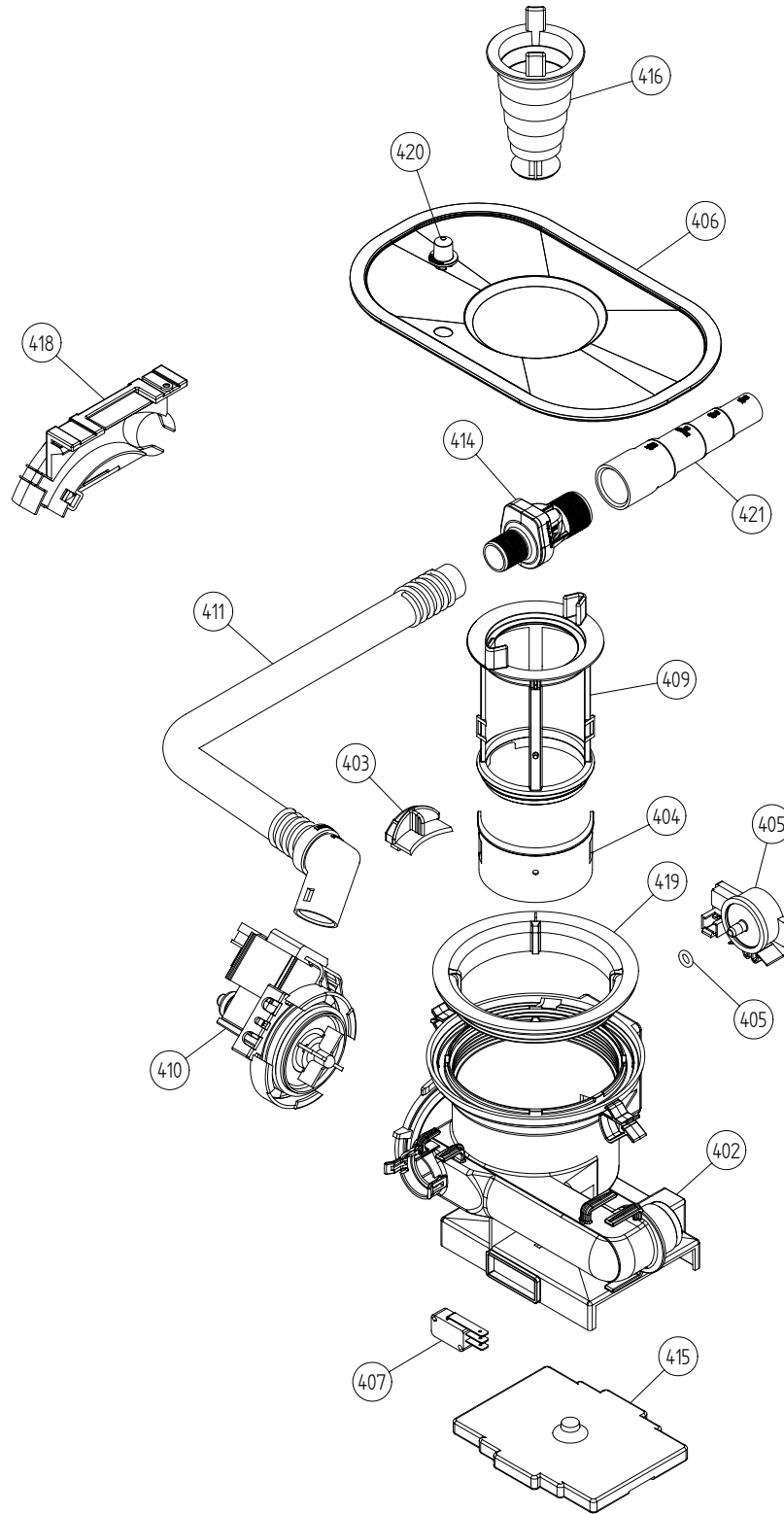
Pos	Spare part No.	Description	Qty	Comment
201	8057056	-	1 Pcs	Not a spare part
202	8801236-36	UPPER BASKET EXCL CPL DGREY	1 Pcs	
203	8801237-36	LOWER BASKET EXCL CPL LGREY	1 Pcs	
206	8009516-77	BASKET WHEEL COMPL GREY	8 Pcs	
208	8071214-77	HOLDERCARVING KNIVES U-BASKET	2 Pcs	
209	8071336-36	CUP SHELF DGREY ADJUSTABLE	1 Pcs	
210	8071337-36	CUP SHELF WINE GLASS MGR ADJ	1 Pcs	
212	8801239-77	CUTLERY BASKET INCL DOOR	1 Pcs	
213	8058498-77	BASKET WHEEL COMPL GREY DW95	4 Pcs	
218	8057052	GUIDE RAIL	2 Pcs	
219	8057977	BALL DIAM 8 DW95	8 Pcs	
220	8057978-77	BALLCATCH GREY COMPL	2 Pcs	
221	8057979-77	BASKET STOP GREY	2 Pcs	
222	8058638-77	BALL DISTANCE RING GUIDE RAIL	2 Pcs	
225	8071247	RUBBER BUFReplby 8057978-77	2 Pcs	
227	8057489	DOOR STRIP UL4	1 Pcs	
230	8071257	EDGE GUARD L=420 MM	1 Pcs	
231	8072986-77	DOOR CUTLERYBASKET UL4	1 Pcs	
232	8801240	LOCK CATCH INCL SCREW&NUT	1 Pcs	
241	8057506-77	KNIFE STOP PLATE GREY DW95	1 Pcs	
244	8057514	AIRBREAK STD W O-RING UL4	1 Pcs	
244-a	8052189	HOSE CLIP RFZ 170-706R	1 Pcs	
245	8057536-77	LOCKRING AIRBREAK GREY	1 Pcs	
247	8074342-86	TRIM STRIP LEFT USA BLACK	1 Pcs	
247-a	8900646	SCREW A4 RTS 42X13 T20 SORT	2 Pcs	
248	8074343-86	TRIM STRIP RIGHT USA BLACK	1 Pcs	
248-a	8900646	SCREW A4 RTS 42X13 T20 SORT	2 Pcs	



Wash system

ASKO, D3350 US - Black Bi (DW20.2US)

Pos	Spare part No.	Description	Qty	Comment
301	8072108	-	1 Pcs	Not to be ordered
303	8073813	CIRCPUMP 120V 60HZ UL4	1 Pcs	
304	8075130	RUBBER DAMPER CIRCPUMP UL4	1 Pcs	
305	8073785	HEATINGELEMENT 1200W 120V	1 Pcs	
306	8073702	ELEMENT TRANSMUTATION UL4	2 Pcs	
307	8075070	INSERT FOR HEATER	1 Pcs	
308	8073385-77	CUP DRAINAGE GREY	1 Pcs	
310	8072888	HOSE CIRKPUMP UL4	1 Pcs	
310-a	8056491	HOSE CLIP 301-708	2 Pcs	
312	8072728-77	SPRAY ARM BEARING L GREY UL4	1 Pcs	
313	8072731-77	SPRAYARM BEARING UPPER UL4	1 Pcs	
314	8073822	WATER DIV VALVE 120V 60HZ UL4	1 Pcs	
314-a	8073003	O-RING 200X375 NRB70 UL4	2 Pcs	
318	8073387	SPRAY PIPE Ø18	1 Pcs	
323	8071606-L-77	SPRAYTOWER L SPRAY NOZZLE UL4	1 Pcs	
323-a	8901765	O-RING 695X3 UL4	1 Pcs	
324	8072730-L-77	SPRAYTOWER U SPRAY NOZZLE UL4	1 Pcs	
325	8072891	SPRAYARM LOWER COMPLETE	1 Pcs	
326	8072894	SPRAYARM UPPER COMPLETE	1 Pcs	
327	8073381	TUBE POTRINSE 6x160	1 Pcs	
327-a	8902085	SCREW PT KB40X10 WN1442 RFS	2 Pcs	
328	8071607	LOCKRING SPRAYPIPE BEARING UL4	1 Pcs	
331	8072543-77	SPRAY NOZZLE UL4	2 Pcs	For part no 8073381 and 8072730-L-77
332	8075420	HOSE 268X328X295	1 Pcs	
332-a	8052189	HOSE CLIP RFZ 170-706R	2 Pcs	



Bottom well and related parts

ASKO, D3350 US - Black Bi (DW20.2US)

Pos	Spare part No.	Description	Qty	Comment
402	8073691-77	BOTTOM WELL PRESSURE SENS UL4	1 Pcs	
402-a	8073002	O-RING 109x4 NBR70 UL4	1 Pcs	
403	8057487-79	COVER PLATE BOTTOM WELL YELLOW	1 Pcs	
404	8058454	COVER PLATE INLET DW95	1 Pcs	
405	8073839	PRESSURE SENSOR UL4	1 Pcs	
405-a	8074040	O-RING 63X24 NBR70 UL4	1 Pcs	
406	8074364	STRAINER DW20	1 Pcs	
406	8074252	Use 8074364	1 Pcs	
407	8073835	MICROSWITCH FLOAT	1 Pcs	
409	8073396-77	INSERT STRAINER BASKET	1 Pcs	
410	8073818	DRAIN PUMP 120V 60HZ UL4	1 Pcs	
410-a	8002584	O-RING 495X30 NBR70 UL1	1 Pcs	
411	8074030	OUTLET HOSE 25 M UL4	1 Pcs	
411-a	8052239	HOSE CLIP RFZ 285-316-706R	1 Pcs	
411-b	8052430	CABLE STRIP PLT3S -M (291X48)	1 Pcs	
414	8073403	NON RETURN VALVE	1 Pcs	
414-a	8052239	HOSE CLIP RFZ 285-316-706R	1 Pcs	
414-b	8053642	HOSE CLIP 271-708	1 Pcs	
415	8075110	FLOAT	1 Pcs	
416	8057972-77	STRAINER BASKET GREY	1 Pcs	
418	8072528-77	HOLDER OUTLETHOSE	1 Pcs	
418-a	8053642	HOSE CLIP 271-708	1 Pcs	
418-b	8052239	HOSE CLIP RFZ 285-316-706R	1 Pcs	
418-c	33700450	CABLE STRIP T 30 R	1 Pcs	
418-d	8902072	SCREW PT KB40X10 WN1442 GALV	1 Pcs	
419	8072848	LOCKRING BOTTOM WELL UL4	1 Pcs	
420	8074760-77	VENTILATOR UL4	1 Pcs	
421	8075321	END CUFF USA UL4	1 Pcs	

This document must not be copied without our written permission, and the contents thereof must not be imparted to a third party nor be used for any unauthorized purpose. ASKO CYLINDA AB

S:\UDw2011_Tryckunderlag\Kopplingschema\8073809 Circuit diagram DW20.4_c.dft , mail , 2002-06-18 08:34:08

